

SAFETY BASICS *Healthcare Series*

Repositioning

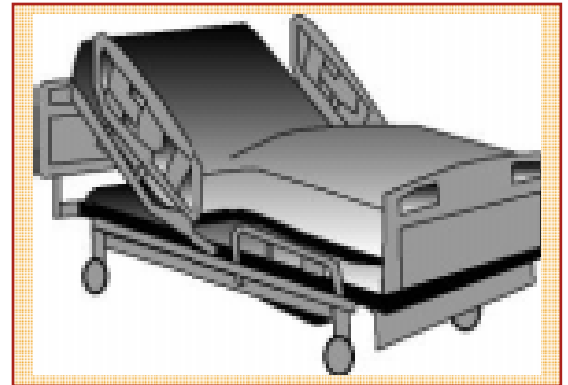
Activity: Resident Handling

Description: Electric powered height adjustable bed

When to Use: For all activities involving resident care, transfer, repositioning in bed, etc., to reduce caregiver trunk flexion when interacting with resident.

Points to Remember: Device should have easy-to-use controls located within easy reach of the caregiver, sufficient foot clearance, and wide range of adjustment. Heavy duty beds are available for bariatric residents.

Beds raised and lowered with an electric motor are preferred over crank-adjust beds which require trunk flexion, force and repetitive motion to use.



Safety Basic Health Care Series Information is extracted directly from OSHA safety materials. For additional information consult www.OSHA.gov