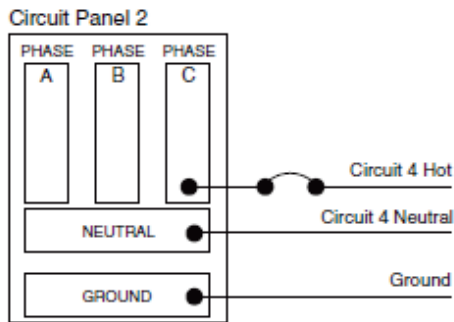
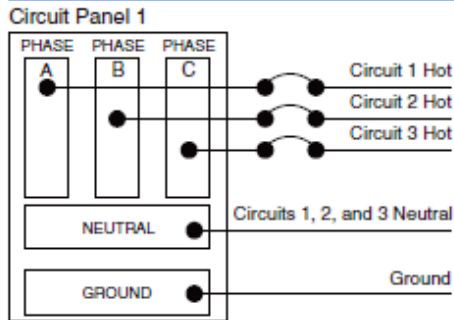


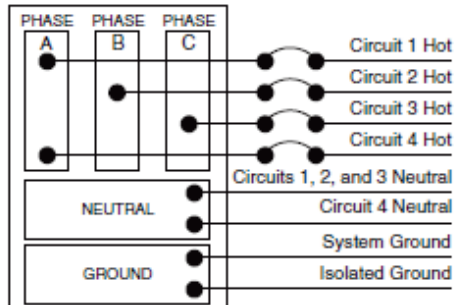
ATTACHMENT 3
ELECTRICAL FURNITURE DETAIL - FOUR-CIRCUIT 3+1

Four-Circuit, 3+1



In the four-circuit 3+1 schematic, circuits 1, 2, and 3 are distributed from the first circuit panel and are supported with one shared neutral and one shared ground. Circuit 4 is distributed from a second circuit panel and is supported with a separate neutral and ground.

Single 3-Phase
Circuit Panel



On a single 3-phase circuit panel, all four circuits are distributed as shown.